

PREMIUM



TOW (TOWER ON WHEELS)

TRAILER SPECIFICATIONS

- Universal Mounting, Non-Skid Hot Dipped Galvanized Steel Grating Deck
- Hot Dipped Galvanized, Multiple Position Outriggers
- Traversing Axle Carriage (To Balance load Distribution)
- Electric Brakes, (Both Axles) With Emergency Break-Away
- Storage Boxes — Saddlebag (2), Tongue (1)
- Retractable Rear Approach Steps

20' Trailer (DOT Compliant)

- 16,000-lb. GVWR
- 10,000-lb. Tongue Jack, Conspicuity Markings
- 5,000-lb. Leveling Jacks (4), Adjustable Safety Chains
- 25,000-lb. 2-5/16" Ball Hitch with 5,000-lb. Tongue Load (Vertically Adjustable)
- Galvanized, Multiple Position Outriggers (4)
- Electric Brakes (Both Axles) With Emergency Break-Away
- Courtesy Kit—(2) Wheel Chocks, (4) Safety Cones, (4) Jack Pads
- Aluminum Storage Cabinet with Linex® Coated Interior

CONFIGURATION OPTIONS

Pneumatic Masts:

- 100' 400-lb. Payload Capacity
- 120' 400-lb. Payload Capacity
- Guy Kit Included
- Protective Weather Cover Included

Mast Support Structure:

- Hydraulically Actuated Tilt-Over Structure
- Fully Enclosed Design
- Hot-Dipped Galvanized Finish

Generators:

- 7 Kw 1-Phase, 3-Wire, 120/240 Volt
- 10 Kw 1-Phase, 3-Wire, 120/240 Volt
- 15 Kw 1-Phase, 3-Wire, 120/240 Volt
- 20 Kw 1-Phase, 3-Wire, 120/240 Volt
- Block Heater and Battery Charger Included

Extended Run Fuel Cell:

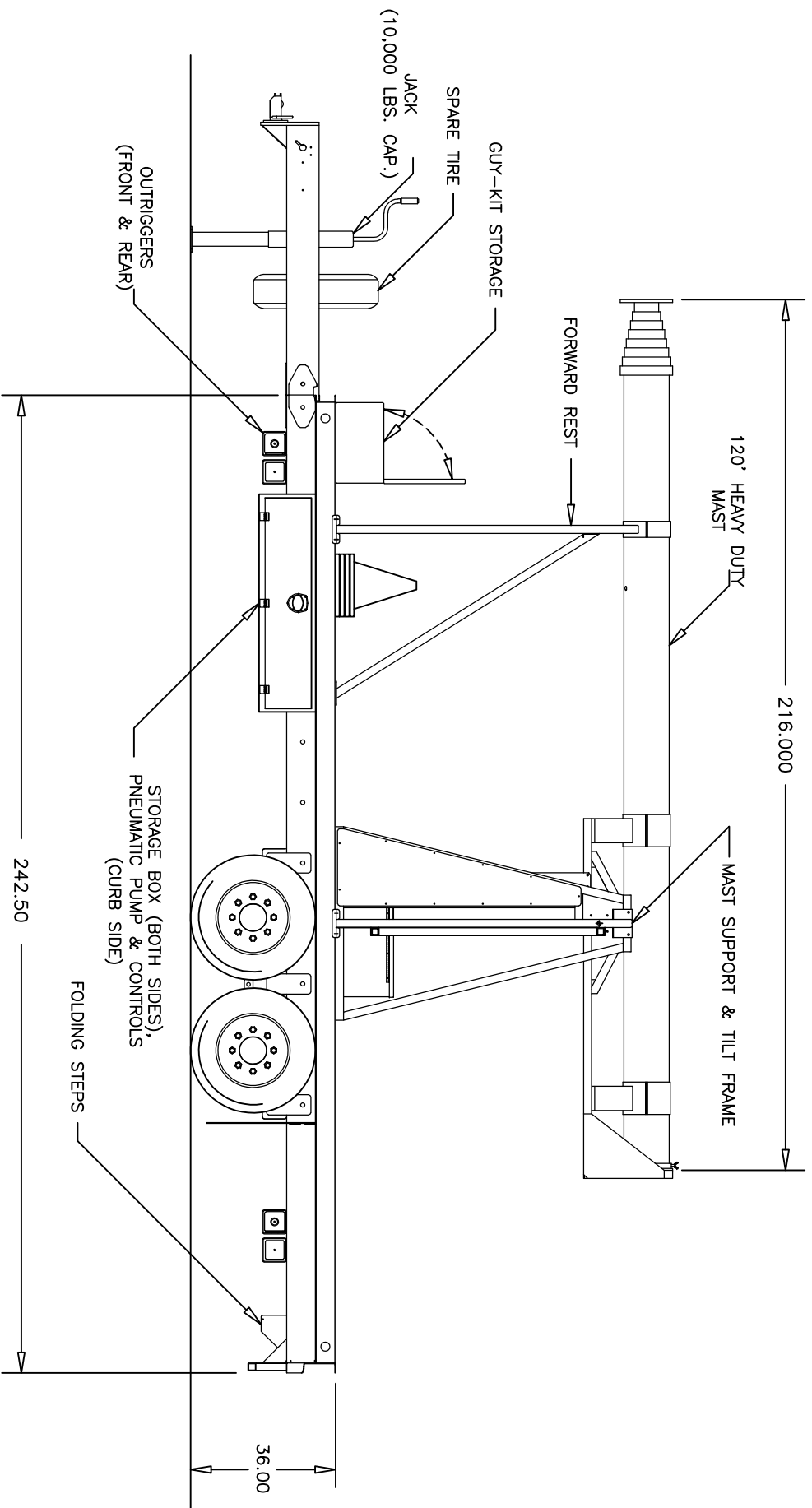
- 24 Hour, 48 hour or As Required

Options/Add-ons:

- 3-Sector Antenna Mounting System
- Pan & Tilt Microwave Mount with Controller
- Mid-Level Microwave Mount
- Single Bay Equipment Cabinets



**SUN WEST
ENGINEERING, INC.**



**PROPRIETARY
PROPOSAL**

**** PROPRIETARY AND CONFIDENTIAL ****
 THIS DOCUMENT AND THE INFORMATION
 HEREIN IS THE SOLE PROPERTY OF
 SUN WEST ENGINEERING, INC.
 DUPLICATION OF THIS INFORMATION WITHOUT
 PRIOR CONSENT OF SUN WEST ENGINEERING
 IS FORBIDDEN.



SUN WEST ENGINEERING, INC.
 3802 E. BROADWAY, PHOENIX, AZ 85040 (602) 275-0882
 TITLE: 20' TOW - 120' MAST
 SIDEVIEW

CUSTOMER:	SHEET: 1 of 1
PLOTTED SCALE: .XXXX=1	DATE DRAWN: 08-05-09
DRAWN BY: <i>FLM</i>	DWG. No. SW-3166
REVISED: 05-23-11	